

CABINET LINER AND DOOR PARTS

For Models: KUIS15NRTW0, KUIS15NRTT0, KUIS15NRTB0, KUIS15NRTS0

(White)

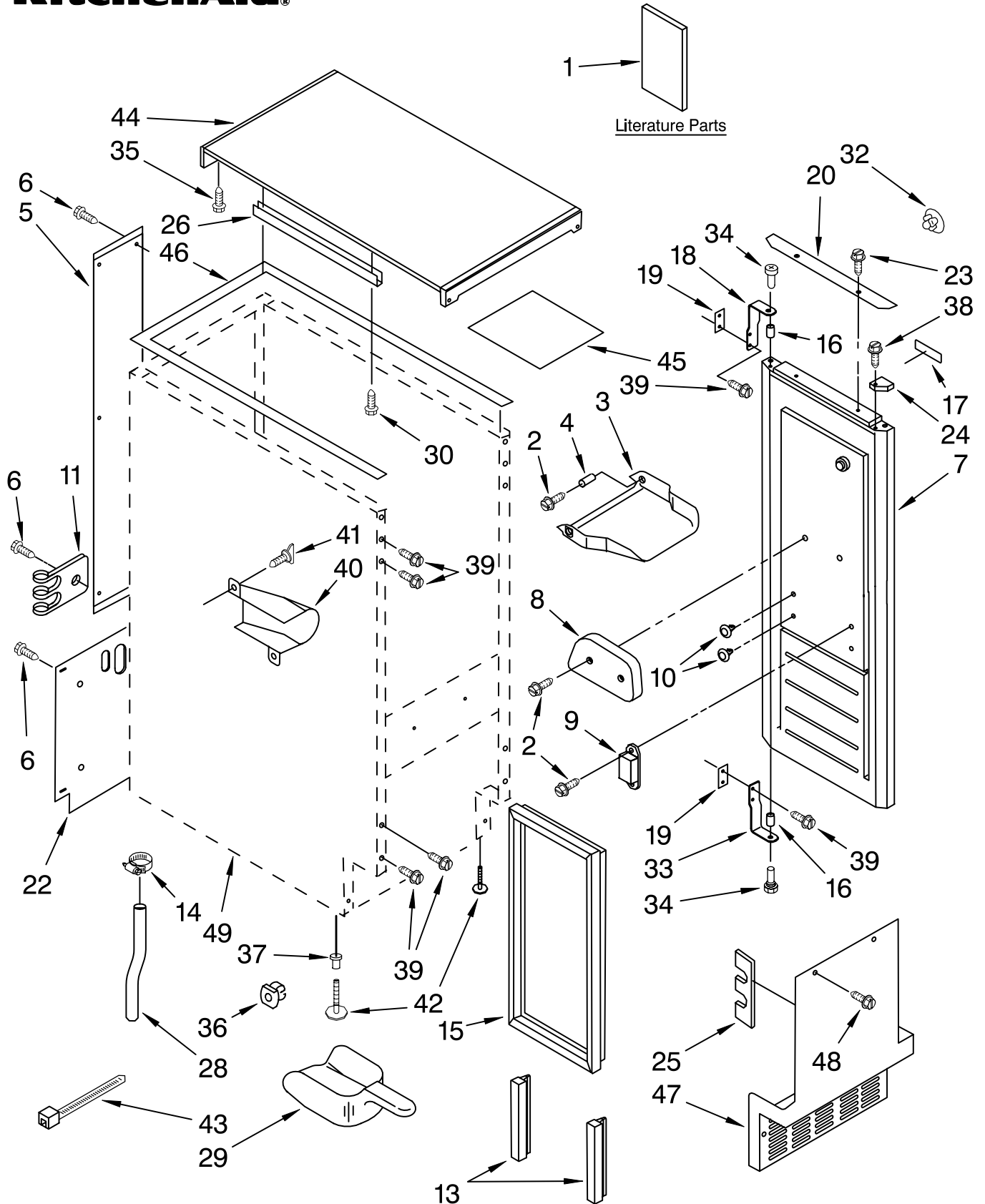
(Biscuit)

(Black)

(Stainless Steel)

ICE CUBE
MAKER

KitchenAid®



FOR ORDERING INFORMATION REFER TO PARTS PRICE LIST

CABINET LINER AND DOOR PARTS

For Models: KUIS15NRTW0, KUIS15NRTT0, KUIS15NRTBO, KUIS15NRTS0

(White) (Biscuit) (Black) (Stainless Steel)

| Illus. No. | Part No. | DESCRIPTION | Illus. No. | Part No. | DESCRIPTION | Illus. No. | Part No. | DESCRIPTION |
|------------|-----------|--------------------------|------------|----------|----------------------|------------|----------|--------------------------------|
| 1 | | Literature Parts | 18 | 2185710 | Hinge, Top | 32 | 2189000 | Plug, Handle |
| | 2313814 | Use & Care Guide | 19 | 2185709 | Shim, Hinge | 33 | 2185711 | Hinge, Bottom |
| | 2324311 | Service & Wiring Sheet | 20 | | Handle, Door | 34 | 2185712 | Pin, Hinge |
| | | | | 2208492W | White | 35 | 489048 | Screw, Ground |
| 2 | 3400886 | Screw | | 2208492T | Biscuit | 36 | 692400 | Nut, Push-In |
| 3 | 2185742 | Bin, Door | | 2208492B | Black | 37 | 3400240 | Nut, Leg Leveler |
| 4 | 2185678 | Spacer | 22 | | Assembly, Unit Cover | 38 | 348689 | Screw |
| 5 | 2217394 | Cover, Wiring | 23 | | Screw | 39 | 489423 | Screw |
| 6 | 489442 | Screw | | 8281188 | White | 40 | 2185927 | Holder, Scoop |
| 7 | | Door | | 8281187 | Biscuit | 41 | 8281228 | Thumbscrew |
| | 2932803W | White | | 8281186 | Black | 42 | 3374849 | Leg, Leveler (4) |
| | 2932803T | Biscuit | 24 | | Filler, Endcap | 43 | 2155774 | Strap |
| | 2932803B | Black | | | Left Side | 44 | | Top |
| | 2932803BS | Stainless Steel | | 2185655W | White | | 2929700W | White |
| 8 | 2185695 | Cam, Door | | 2185655T | Biscuit | | 2929700T | Biscuit |
| 9 | 2217393 | Assembly, Magnetic Catch | | 2185655B | Black | | 2929700B | Black |
| 10 | 941839 | Plug, Hole | | | Right Side | 45 | 2185690 | Shield, Electrical |
| 11 | 2208136 | Clamp | | 2185656W | White | 46 | 2217293 | Gasket, Top Panel |
| 13 | 2217367 | Gasket, Bottom | | 2185656T | Biscuit | 47 | | Grill, Front |
| 14 | 489503 | Clamp | | 2185656B | Black | | 2185571W | White |
| 15 | 2217294 | Gasket, Door | 25 | 2185756 | Pad, Foam | | 2185571T | Biscuit |
| 16 | 2185640 | Sleeve, Hinge | 26 | 2185691 | Channel, Wiring | | 2185571B | Black |
| 17 | | Nameplate | 28 | 2185989 | Tube, Drain | 48 | 489474 | Screw |
| | W10046670 | White | 29 | 585158 | Scoop | 49 | | Cabinet & Liner (NOT SERVICED) |
| | W10046700 | Biscuit | 30 | 3400884 | Screw | | | |
| | W10046640 | Black | | | | | | |
| | W10046610 | Grey | | | | | | |

FOR ORDERING INFORMATION REFER TO PARTS PRICE LIST

EVAPORATOR, ICE CUTTER GRID AND WATER PARTS

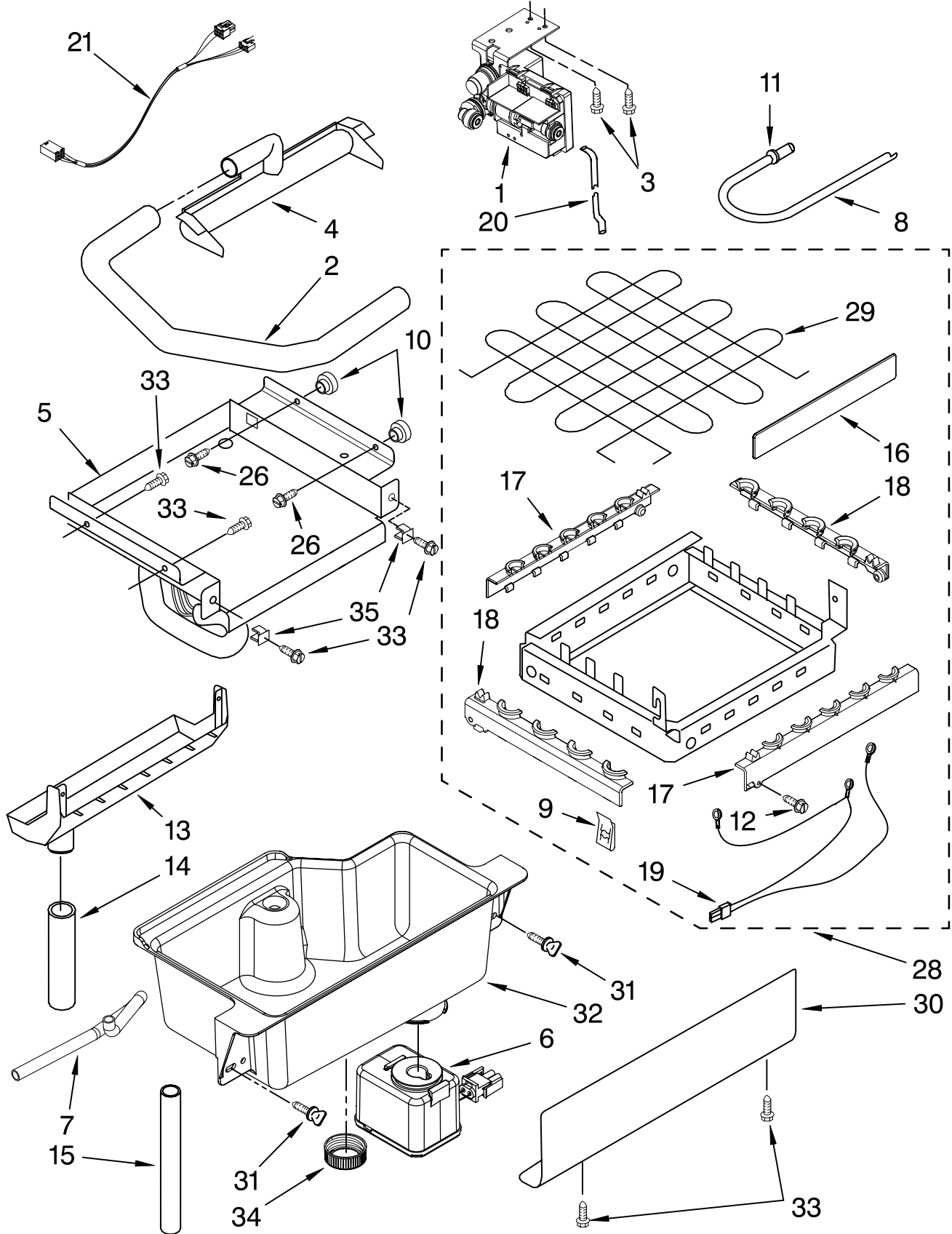
For Models: KUIS15NRTW0, KUIS15NRTT0, KUIS15NRTB0, KUIS15NRTS0

(White)

(Biscuit)

(Black)

(Stainless Steel)



FOR ORDERING INFORMATION REFER TO PARTS PRICE LIST

EVAPORATOR, ICE CUTTER GRID AND WATER PARTS

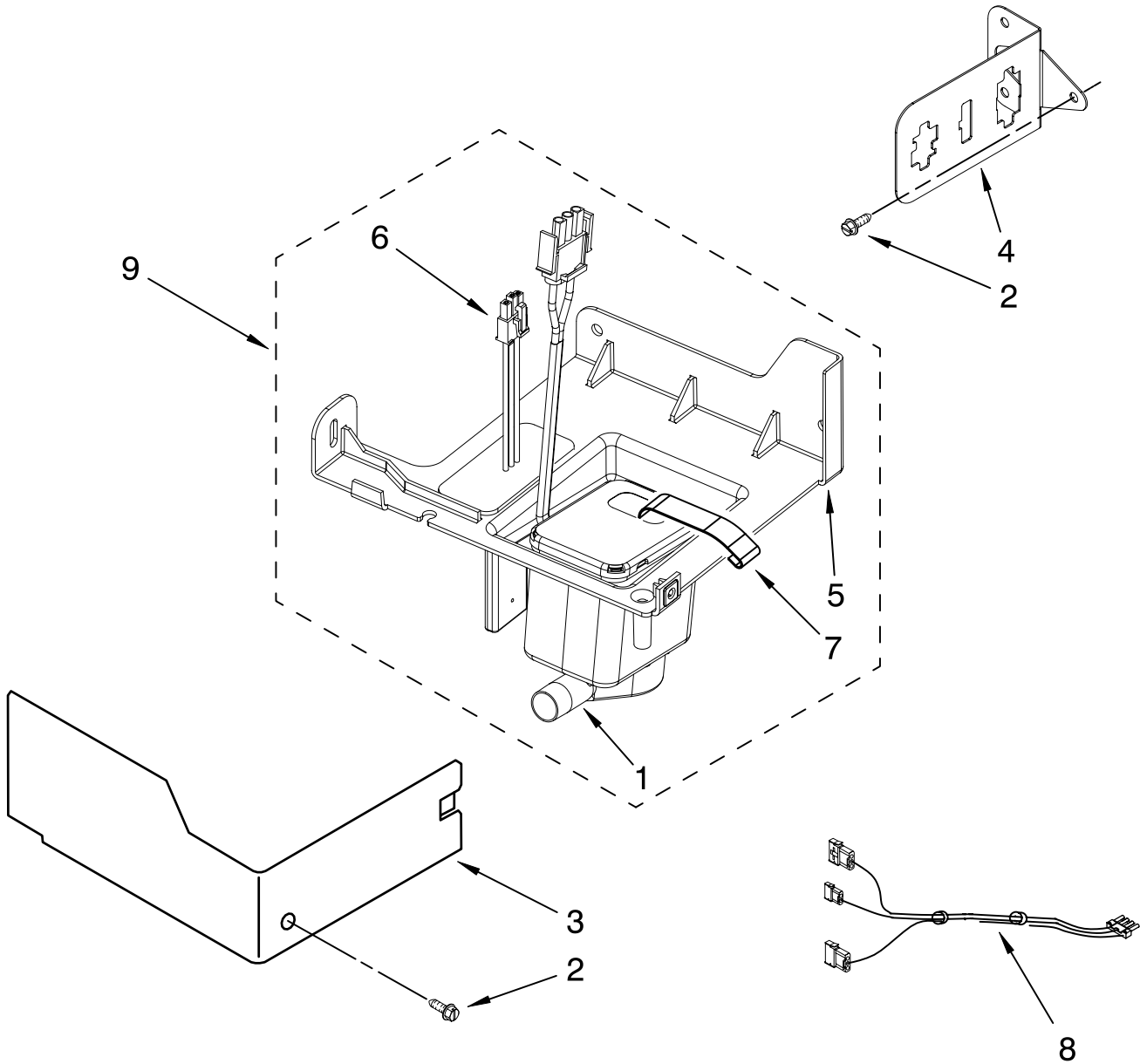
For Models: KUIS15NRTW0, KUIS15NRTT0, KUIS15NRTBO, KUIS15NRTS0
 (White) (Biscuit) (Black) (Stainless Steel)

| Illus. No. | Part No. | DESCRIPTION |
|-------------------|-----------------|------------------------------|
| 1 | 2313741 | Valve, Complete Water |
| 2 | 2217286 | Tube, Plastic |
| 3 | 488208 | Screw |
| 4 | 2185523 | Dispenser, Water |
| 5 | 2217269 | Evaporator |
| 6 | 2313705 | Pump, Drain |
| 7 | 2313851 | Tube, Reservoir Pump |
| 8 | 2172593 | Tube, Water Fill |
| 9 | 488660 | Nut, Speed |
| 10 | 836667 | Spacer |
| 11 | 2208539 | Fastener, Pushnut |
| 12 | 489443 | Screw |
| 13 | 2185625 | Reservoir, Water Slide |
| 14 | 2185626 | Tube |
| 15 | 2313890 | Hose, Overflow |
| 16 | 2313604 | Guide-Ice, Grid |
| 17 | 2313603 | Bracket, Front and Rear |
| 18 | 2313602 | Bracket, Side Left and Right |
| 19 | 2185681 | Harness, Grid |
| 20 | 2324305 | Tube |
| 21 | 2310169 | Wire Assembly (Valve) |
| 26 | 3400886 | Screw |
| 28 | 2313637 | Grid Assembly (Complete) |
| 29 | 2174754 | Wire, Grid Cutter |
| 30 | 2185570 | Cover, Grid |
| 31 | 8281228 | Thumbscrew |
| 32 | 2324334 | Reservoir, Water |
| 33 | 3400884 | Screw |
| 34 | 2185696 | Cap, Drain |
| 35 | 3400909 | Nut, Push-In |

FOR ORDERING INFORMATION REFER TO PARTS PRICE LIST

PUMP PARTS

For Models: KUIS15NRTW0, KUIS15NRTT0, KUIS15NRTB0, KUIS15NRTS0
 (White) (Biscuit) (Black) (Stainless Steel)

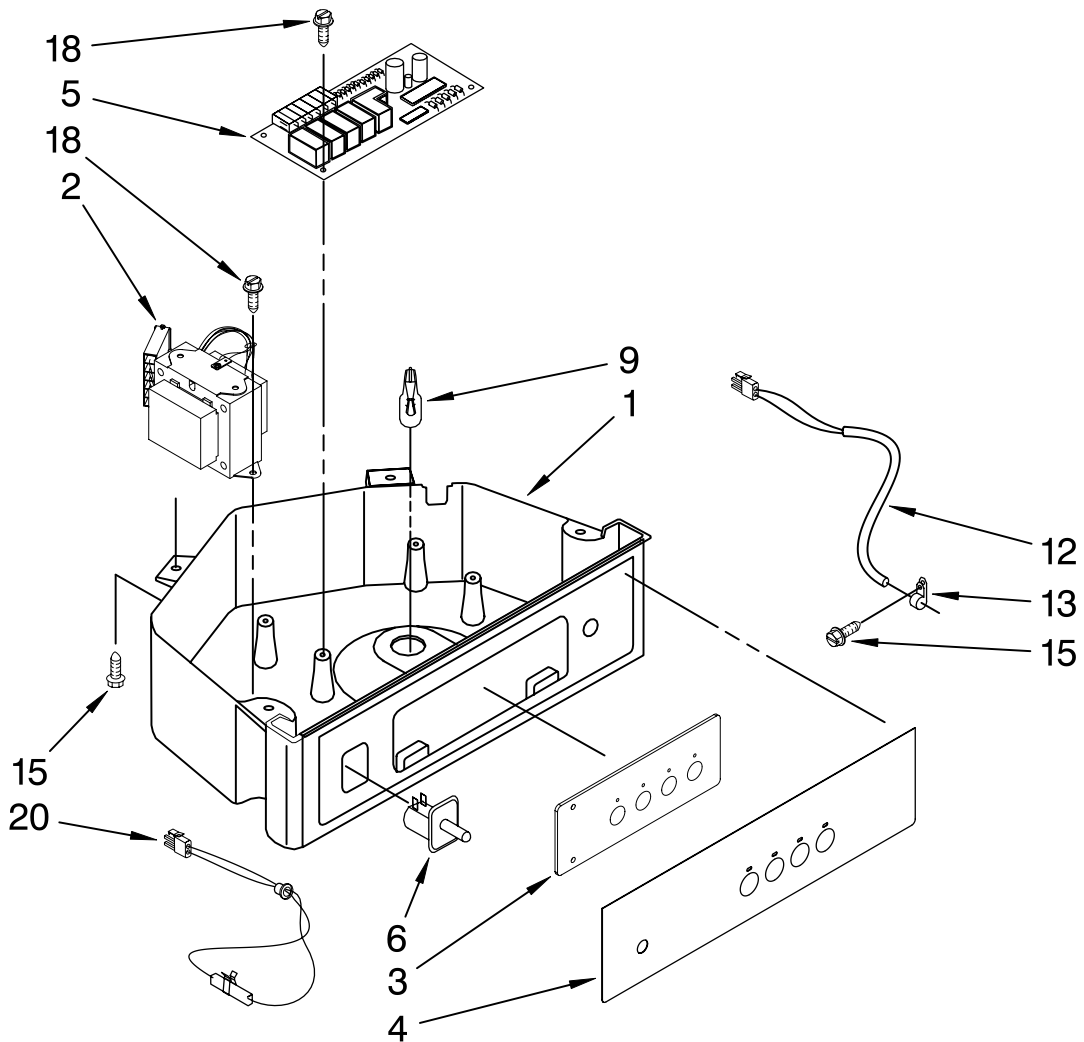


| Illus. No. | Part No. | DESCRIPTION |
|------------|----------|-----------------------------|
| 1 | 2313628 | Pump-Recirculating |
| 2 | 3400884 | Screw 8-18 X 5/8 |
| 3 | 2185677 | Cover, Pump |
| 4 | 2313844 | Bracket, Connector Assembly |
| 5 | 2313627 | Bracket-Pump |
| 6 | 2313643 | Sensor-Motor |
| 7 | 2324307 | Clip-Retainer (3) |
| 8 | 2310092 | Wiring Harness Main To Pump |
| 9 | 2313702 | Pump Assembly |

FOR ORDERING INFORMATION REFER TO PARTS PRICE LIST

CONTROL PANEL PARTS

For Models: KUIS15NRTW0, KUIS15NRTT0, KUIS15NRTBO, KUIS15NRTS0
 (White) (Biscuit) (Black) (Stainless Steel)

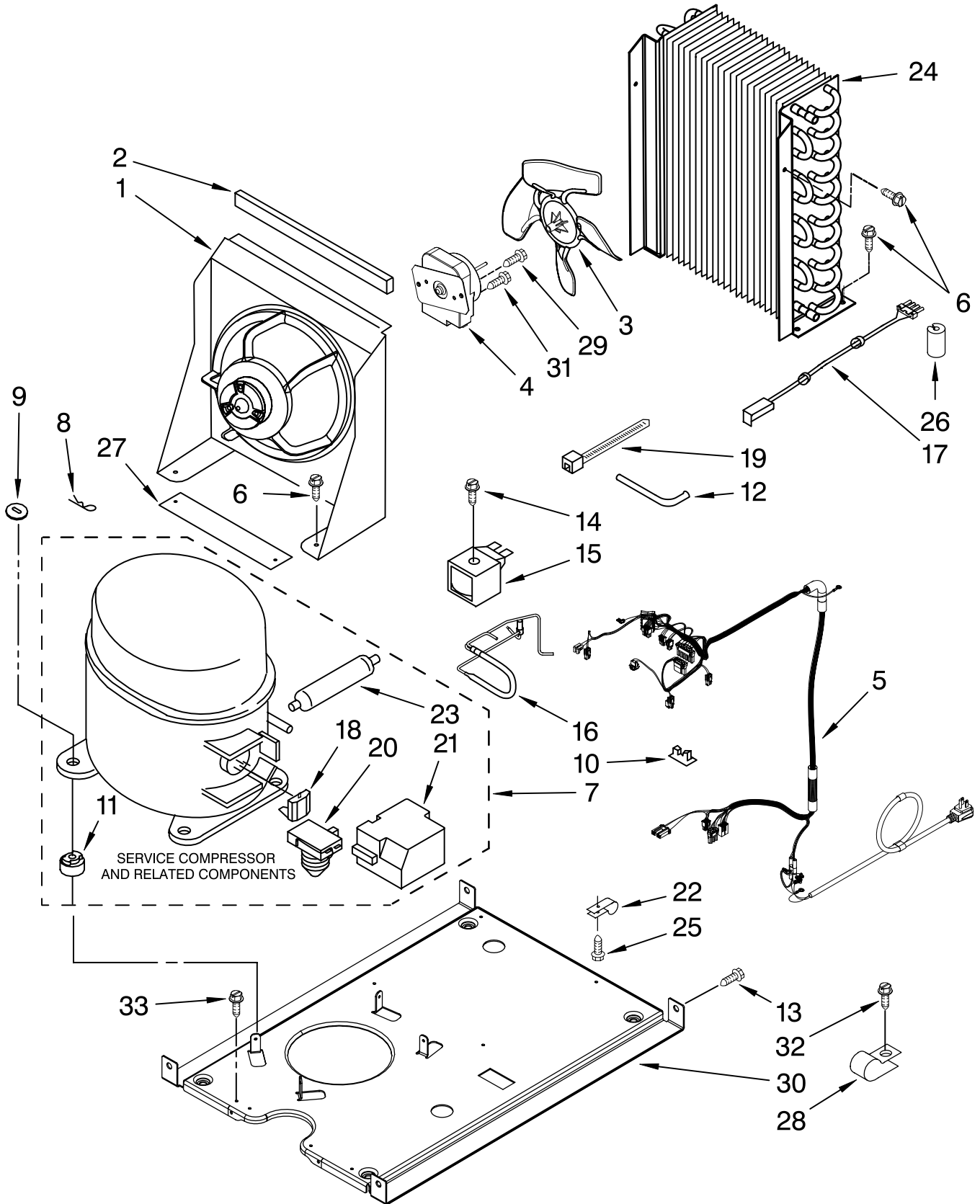


| Illus. No. | Part No. | DESCRIPTION |
|------------|----------|-------------------------------------|
| 1 | 2185738 | Box, Control |
| 2 | 2310139 | Transformer |
| 3 | 2304122 | Assembly, Switch (ALSO ORDER #4) |
| 4 | 2313693 | Overlay |
| 5 | 2321774 | Control Board |
| 6 | 2149705 | Switch, Plunger Grid/Light |
| 9 | 745362 | Bulb |
| 12 | 2313633 | Thermostat, Bin |
| 13 | 2185825 | Clamp |
| 15 | 3400884 | Screw |
| 18 | 3400850 | Screw |
| 20 | 2313635 | Thermister, Ice Control |

FOR ORDERING INFORMATION REFER TO PARTS PRICE LIST

UNIT PARTS

For Models: KUIS15NRTW0, KUIS15NRTT0, KUIS15NRTBO, KUIS15NRTS0
(White) (Biscuit) (Black) (Stainless Steel)



FOR ORDERING INFORMATION REFER TO PARTS PRICE LIST

UNIT PARTS

For Models: KUIS15NRTW0, KUIS15NRTT0, KUIS15NRTB0, KUIS15NRTS0
 (White) (Biscuit) (Black) (Stainless Steel)

| Illus. No. | Part No. | DESCRIPTION | Illus. No. | Part No. | DESCRIPTION | Illus. No. | Part No. | DESCRIPTION |
|------------|----------|---|------------|----------|--------------------------------|------------|----------|------------------|
| 1 | 2185532 | Bracket, Fan Mtg. | 13 | 489423 | Screw | 22 | 2185788 | Clamp |
| 2 | 2185675 | Pad, Foam | 14 | 489472 | Screw | 23 | | Drier |
| 3 | 2188935 | Blade, Fan | 15 | 759112 | Coil, Solenoid | | 2319826 | Production |
| 4 | 2315558 | Motor & Mounting Plate Assembly | 16 | 2313806 | Hot Gas Valve | | 4387019 | Service |
| 5 | 2310125 | Wiring Harness, Complete Unit (Includes Power Cord) | 17 | 2187629 | Wiring Harness, Condenser Fan | 24 | 2313624 | Condenser |
| 6 | 304392 | Screw | 18 | | Overload | 25 | 3400884 | Screw |
| 7 | 2313858 | Compressor (Includes Illus. 11,18, 20,21 & 23) | | 2217223 | Production | 26 | 2319835 | Grommet-Cond.(1) |
| 8 | A201435 | Clip, Mounting | | 4387938 | Service (Includes Start-Relay) | 27 | 2217397 | Pad, Foam (2) |
| 9 | A201441 | Shim (4) | 19 | 2155774 | Strap | 28 | 2185960 | Clamp-Power Cord |
| 10 | 1115375 | Clip-Wiring | 20 | | Relay, Start | 29 | 8281197 | Screw |
| 11 | | Grommet (4) | | 2217224 | Production | 30 | 2217388 | Base, Unit |
| | 2217318 | Production | | 4387938 | Service (Includes Overload) | 31 | 8281196 | Screw |
| | 4387558 | Service | 21 | | Cover, Terminal | 32 | 304392 | Screw |
| 12 | 2208415 | Tube, Process | | 2208371 | Production | 33 | 488500 | Ground Screw |
| | | | | 4387731 | Service | | | |

REFRIGERANT CHARGE

6.5 OZ. (R134A)



OPTIONAL PARTS (NOT INCLUDED)
 For Models: KUIS15NRTW0, KUIS15NRTT0, KUIS15NRTBO, KUIS15NRTS0
 (White) (Biscuit) (Black) (Stainless Steel)

| Illus. No. | Part No. | DESCRIPTION |
|---------------|-------------|-------------|
|---------------|-------------|-------------|

Parts Not Illustrated and
Optional Parts (Not Included)

| | | |
|---------|--|---|
| 8171307 | | Cleaner, Icemaker |
| 503695 | | Sealer, Cork (1/4 Pound) |
| 797403 | | Cement, Insulation (1 Oz.) |
| 505587 | | Sealer, Mastic (1 Qt.) |
| 212643 | | Sealer, Gum (22 Pcs. 3/16" x 7") |
| 479976 | | Kit, Insulation (5 Pcs. 3" x 24" x 48") |
| 8537055 | | Cleaner, Stainless Steel |
| 978025 | | Valve, Access (1/4") |
| 978026 | | Valve, Access (5/16") |
| 978027 | | Valve, Access (3/8") |
| 978028 | | Valve, Access (1/2") |
| 978029 | | Valve, Access (5/8") |
| 978030 | | Valve, Access (3/4") |

FOR ORDERING INFORMATION REFER TO PARTS PRICE LIST